



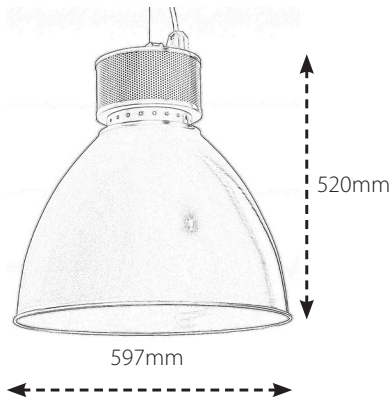
P44

- P44 Spun aluminium LED pendant available as standard raw aluminium
- Polished chrome, stain chrome, brass or Any RAL colour
- Internal and external colours can be mixed
- 3m suspension kit as standard, 5m option available

Options

- Dimmable, DALI, *3 hour emergency
- 3000k or 4000k CRI80 and CRI90

CAT No	Watts	Lumens
*P4430	28	3200
*P4445	45	4900
*P4490	90	9900
P44120	120	12800



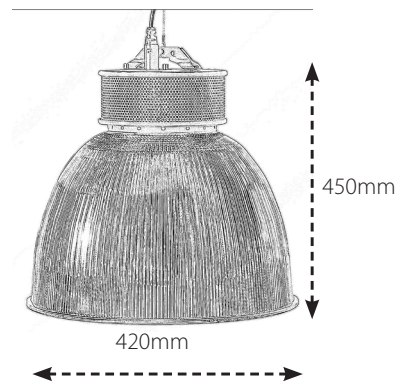
P45

- LED pendant
- Polycarbonate refractor
- Conical lens accessory option
- 3 m suspension kit as standard, 5 m option available

Options

- Dimmable, DALI, *3 hour emergency
- 3000k or 4000k CRI80 and CRI90

CAT No	Watts	Lumens
*P4530	28	3200
*P4545	45	4900



Please note that with the continuous rapid development in lighting technology, specification values may change. Contact our technical department for details. We reserve the right to amend or change details without prior notification. All performance data is taken at an ambient temperature of +25°C. Lumens and connected system load are subject to an initial tolerance of up to +/- 10%.





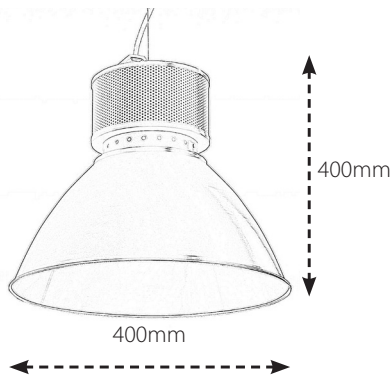
P46

- P44 Spun aluminium LED pendant available as standard raw aluminium
- Polished chrome, stain chrome, brass or Any RAL colour
- Internal and external colours can be mixed
- 3m suspension kit as standard, 5m option available

Options

- Dimmable, DALI, *3 hour emergency
- 3000k or 4000k CRI80 and CRI90

CAT No	Watts	Lumens
*P4630	28	3200
*P4645	45	4900
P4690	90	9900



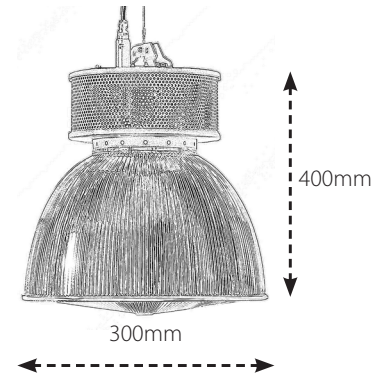
P47

- LED pendant
- Polycarbonate refractor
- Conical lens accessory option
- 3 m suspension kit as standard, 5 m option available

Options

- Dimmable, DALI, *3 hour emergency
- 3000k or 4000k CRI80 and CRI90

CAT No	Watts	Lumens
*P4730	28	3200
P4745	45	4900



Please note that with the continuous rapid development in lighting technology, specification values may change. Contact our technical department for details. We reserve the right to amend or change details without prior notification. All performance data is taken at an ambient temperature of +25°C. Lumens and connected system load are subject to an initial tolerance of up to +/- 10%.